

# Waveform Combination and adding noise to SDG1000X, SDG2000X, and SDG6000X generator output signals

May 04, 2018

The X series of SIGLENT SDG arbitrary generators, including the 1000X, 2000X, and 6000X models, offer a large array of adjustments and features that can make common tasks quite simple. One common application is to add a certain amount of noise to a standard waveform and then adjust the characteristics of the noise level. This can be helpful in testing how certain levels and frequencies of noise can affect your design.

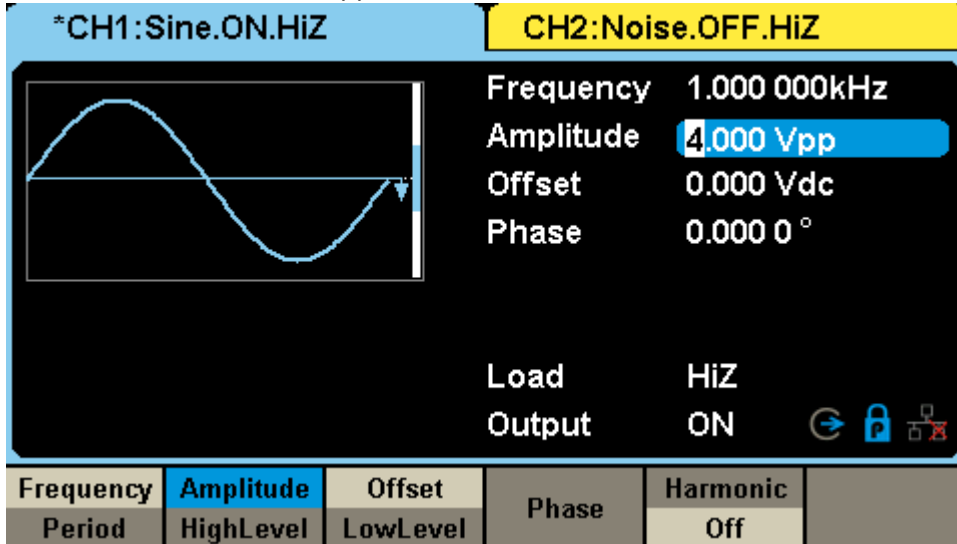
## Waveform Addition:

The SDG1000X, 2000X, and 6000X all feature a waveform combination function that will mathematically add CH1 and CH2 waveforms together and then source the combined waveform from the user-defined output. This can be used to combine any available waveforms, including user-defined arbitrary waveforms.

For the purpose of this note, we are going to configure CH1 as a sine wave and CH2 as a noise source, then activate the waveform combination function and view the output waveform.

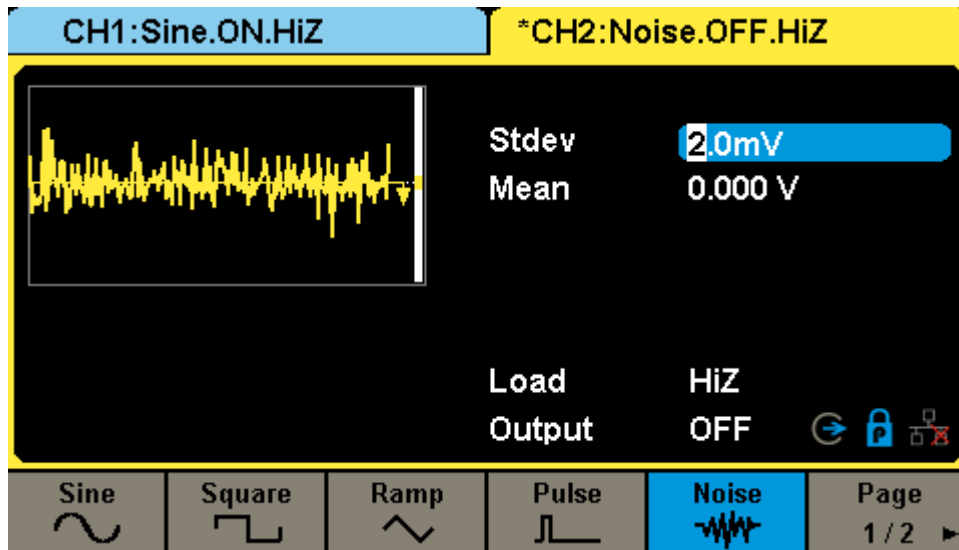
1. Configure CH1: Set the waveform type to Sine and set the amplitude by pressing Parameter and adjusting the parameter settings to the appropriate value.

Here we have a 1 kHz, 4 Vpp sine wave:



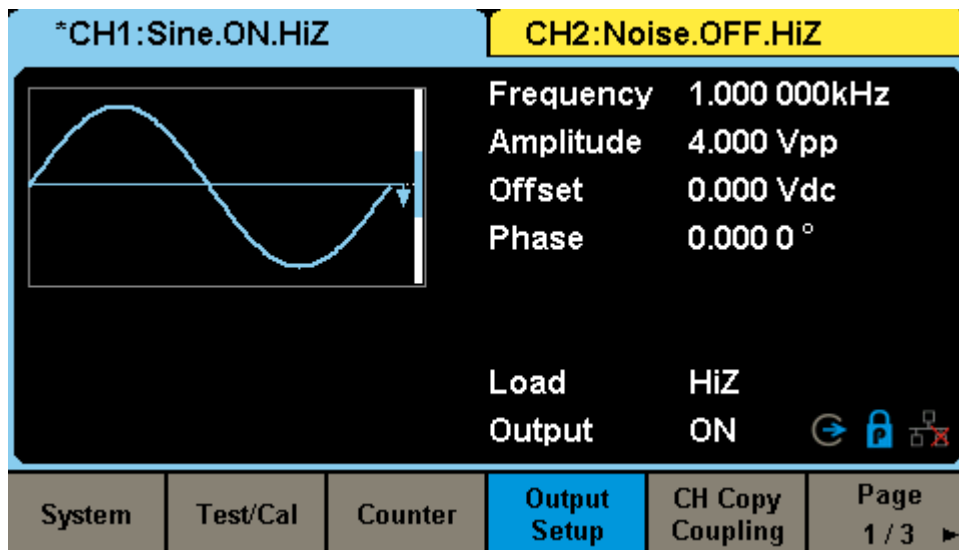
2. Now, configure CH2. Press CH2 > Waveforms and select Noise:

You can set the Stdev and Mean values using the Parameters button or the keypad/scroll wheel:



3. Enable Waveform Combine. This will mathematically sum CH1 and CH2 and output the sum through the set channel.

Press Utility > Output Setup:

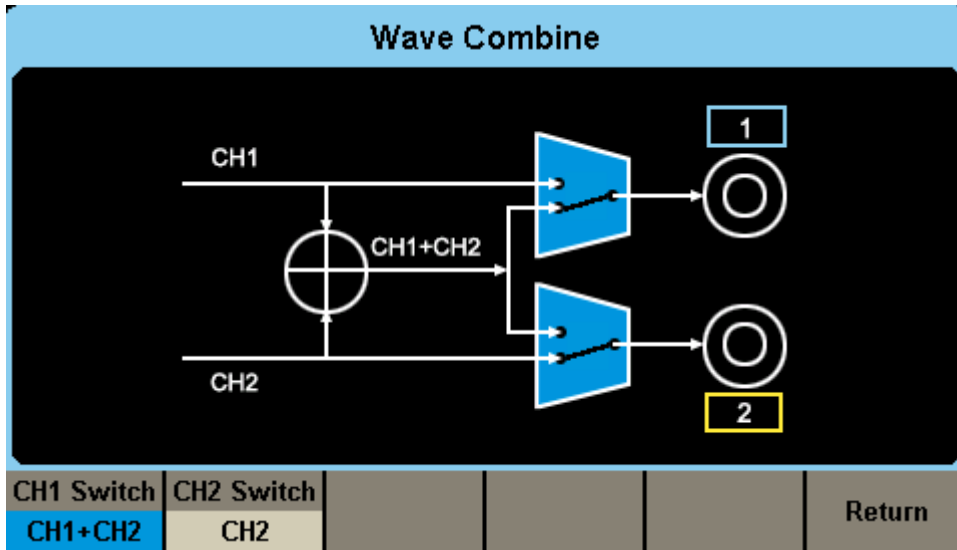


*CH1:Sine.ON.HiZ		CH2:Noise.OFF.HiZ			
		Frequency	1.000 000kHz		
		Amplitude	4.000 Vpp		
		Offset	0.000 Vdc		
		Phase	0.000 0 °		
		Load	HiZ		
		Output	ON		
Load	Polarity Normal	EqPhase	Wave Combine	NoiseSum	Accept

4. Press Wave Combine:

5. Press CH1 Switch so that it shows CH1 + CH2 and then press Return. This combines CH1 and CH2 outputs and delivers the summed waveform to CH1 output:

Wave Combine					
CH1 Switch	CH2 Switch				Return
CH1	CH2				



6. Now, you can connect CH1 to an oscilloscope and observe the output.

CH1 is the sine wave and CH2 is superimposed onto CH1. So, if you want to change the parameters of the noise, select CH2 and adjust the parameters to suit your needs:

Here are a few scope displays with the noise set to various values:

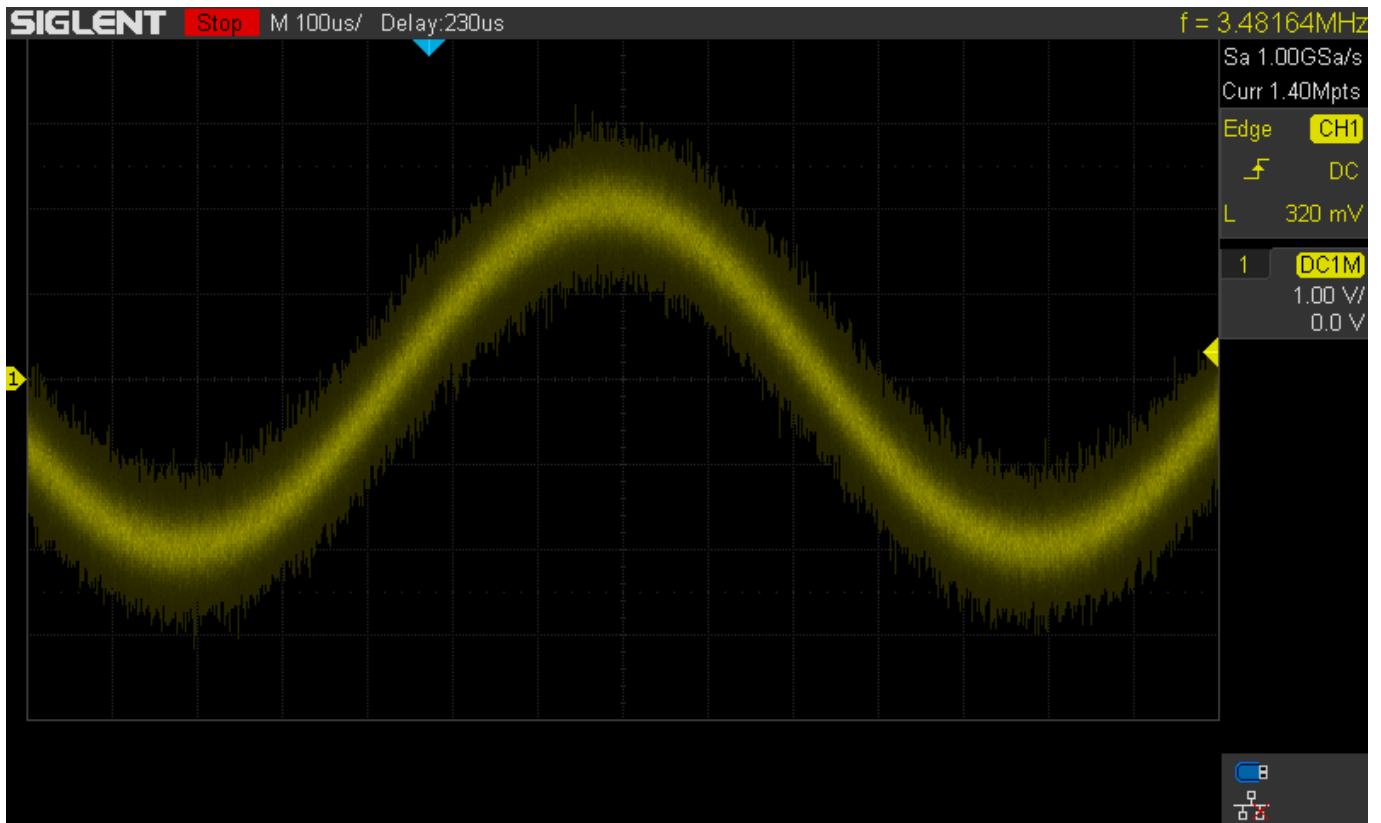
Stdev = 2 mV

The screenshot shows the oscilloscope's configuration menu. The top bar indicates "CH1:Sine.ON.HiZ" and "\*CH2:Noise.OFF.HiZ". The main display area shows a noisy yellow waveform on the left. To the right, the following parameters are displayed: "Stdev" is set to "2.0mV" (highlighted in blue), "Mean" is "0.000 V", "Load" is "HiZ", and "Output" is "OFF". At the bottom, there are icons for a back arrow, a lock, and a refresh symbol. Below the main display is a control panel with buttons for "Load", "Polarity Normal", "EqPhase", "Wave Combine" (highlighted in blue), "NoiseSum", and "Accept".



CH1:Sine.ON.HiZ		*CH2:Noise.OFF.HiZ	
		Stdev	500.0mV
		Mean	0.000 V
		Load	HiZ
		Output	OFF
Load	Polarity Normal	EqPhase	Wave Combine
		NoiseSum	Accept

Stdev = 500 mV



The SDG6000X Series also includes a special function called Noise Sum, which also adds noise, but it has slightly different parameters.

1. Press Utility > Output Setup > Noise Sum

*CH1:Sine.ON.HiZ		CH2:Noise.OFF.HiZ			
		Frequency	1.000 000kHz		
		Amplitude	4.000 Vpp		
		Offset	0.000 Vdc		
		Phase	0.000 0 °		
Load		HiZ			
Output		ON			
Load	Polarity Normal	EqPhase	Wave Combine	<b>NoiseSum</b>	Accept

2. Now, set State = ON and adjust the Signal-to-Noise (or S/N in dB) ratio:

Noise Superimpose

Signal-Noise Ratio

State	S/N				Return
ON	S/N(dB)				



### **North American Headquarters**

SIGLENT Technologies NA  
6557 Cochran Rd Solon, Ohio 44139  
Tel: 440-398-5800  
Toll Free: 877-515-5551  
Fax: 440-399-1211  
[info@siglent.com](mailto:info@siglent.com)  
[www.siglentamerica.com/](http://www.siglentamerica.com/)

### **European Sales Offices**

SIGLENT TECHNOLOGIES GERMANY GmbH  
Liebigstrasse 2-20, Gebaeude 14,  
22113 Hamburg Germany  
Tel: +49(0)40-819-95946  
Fax: +49(0)40-819-95947  
[info-eu@siglent.com](mailto:info-eu@siglent.com)  
[www.siglenteu.com](http://www.siglenteu.com)

### **Asian Headquarters**

SIGLENT TECHNOLOGIES CO., LTD.  
Blog No.4 & No.5, Antongda Industrial Zone,  
3rd Liuxian Road, Bao'an District,  
Shenzhen, 518101, China.  
Tel: + 86 755 3661 5186  
Fax: + 86 755 3359 1582  
[sales@siglent.com](mailto:sales@siglent.com)  
[www.siglent.com/ens](http://www.siglent.com/ens)